

Pressure Transmitters

FEATURES

- Ranges to 15,000 psi (0–1,000 bar)
- <0.15% accuracy, combined error
- 4–20 mA two-wire output
- ATEX I.S. certification
- Duplex stainless steel construction
- NACE MR-01-75 Rev03 Sour Gas rated

APPLICATIONS

- Surface datalogging
- B.O.P. control systems
- Wellhead monitoring
- Mud logging

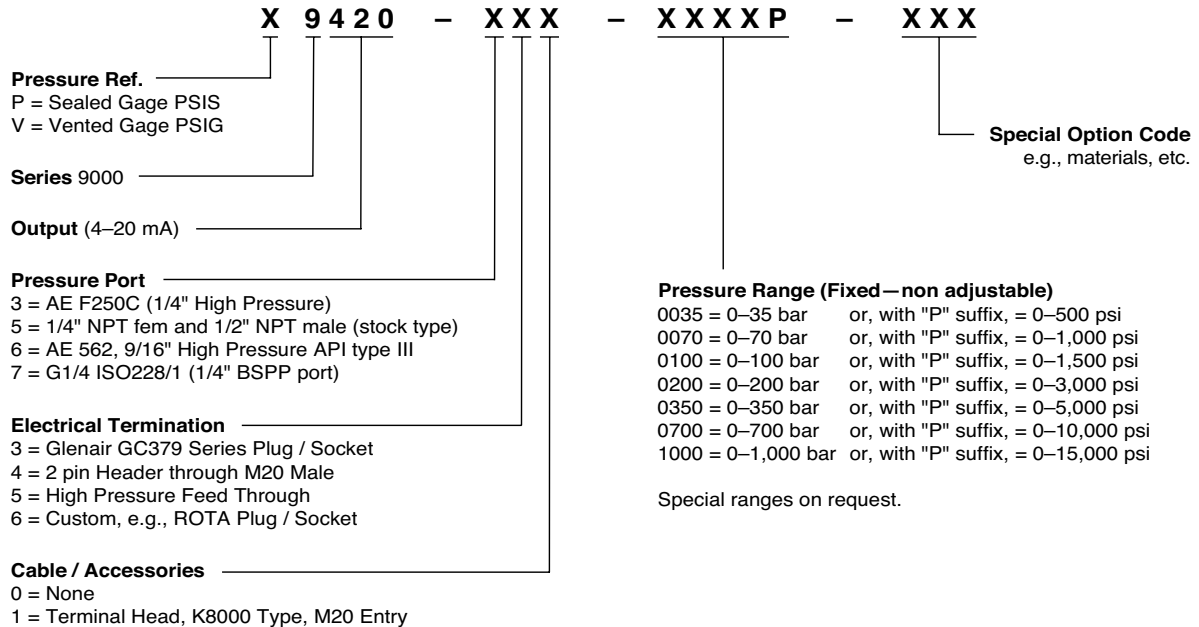
DESCRIPTION

General purpose 9420 Series pressure transmitters share fused-ceramic diaphragm and fixed-range 4–20 mA two-wire output amplifier technology with the rugged P9420-800 Series Hammer-Lug Union transmitters. Housed in a thick walled casing of the highest specification material, the 9420 Series is ideally suited to rugged and corrosive service in an oil field environment; Sour Service is standard.

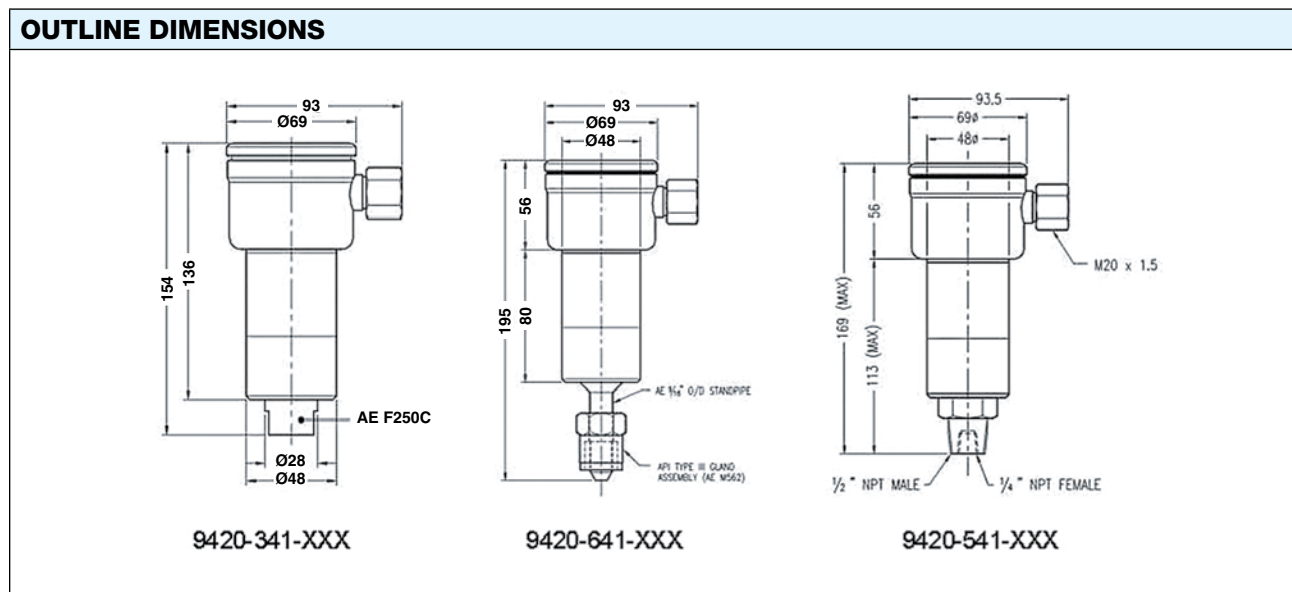


9420 transmitters are available with a wide variety of connector options to suit your system requirements. Each unit carries a two-year warranty.

ORDERING INFORMATION



Pressure Transmitters



SPECIFICATIONS	
PARAMETER	VALUE
Ranges	0–500 psi thru 0–15,000 psi (0–35 bar thru 0–1000 bar)
PERFORMANCE	
Accuracy	<0.15% FSO combined error, non-linearity, hysteresis and repeatability
Stability	<0.1% FSO per year
Rise time to full scale	<2 ms
Temperature effects on zero balance	±0.008% FSO/°C
Temperature effects on rated output	±0.008% FSO/°C
Temperature range	Compensated: –10°C to +90°C; storage: –10°C to +100°C
ELECTRICAL	
Output	4–20 mA, two wire
Full scale output (FSO)	20 mA ±0.08 mA
Zero pressure output	4 mA ±0.08 mA
Supply voltage	12–28 VDC
Loop resistance	100 Ω–900 Ω
Insulation resistance	>500 MΩ @ 500 VRMS
MECHANICAL	
Safe overpressure	150% range
Minimum burst pressure	300% range (<10,000 psi), 250% range (15,000 psi)
Wetted parts material	Al ₂ O ₃ UNS S31803 Duplex Stainless Steel
MOUNTING	
Not attitude conscious	Via pressure port on 5XX, 6XX process connections, or flanges and hubs. Mounting bracket / pipe clamp for tubing or flexible hose connected parts
ENVIRONMENTAL	
Protection	IP68 BS5490: 1977, IEC 529: 1976
RFI / EMC immunity	Tested to IEC 801-3 Parts 2, 3, 4 and 6 EN 50082-2
Intrinsic safety certification	EXia IIc T4 Sira 02ATEX2388X
MEDIA COMPLIANCE —NACE MR-01-75 Rev03 Sour Gas rated	
SHOCK / VIBRATION —IEC 68 Test Ea 100 g / 6 ms, 3 axes; Test Fc 10–800 Hz, 5 g, 3 axes	

BLH Nobel is continually seeking to improve product quality and performance. Specifications may change accordingly.