

Load Cell

FEATURES

- Capacity range 200 kN
- Simple installation
- Moveable load point
- Withstands very high lateral forces
- Accurate and rugged
- ATEX and IECEx certified for hazardous locations upon request

APPLICATIONS

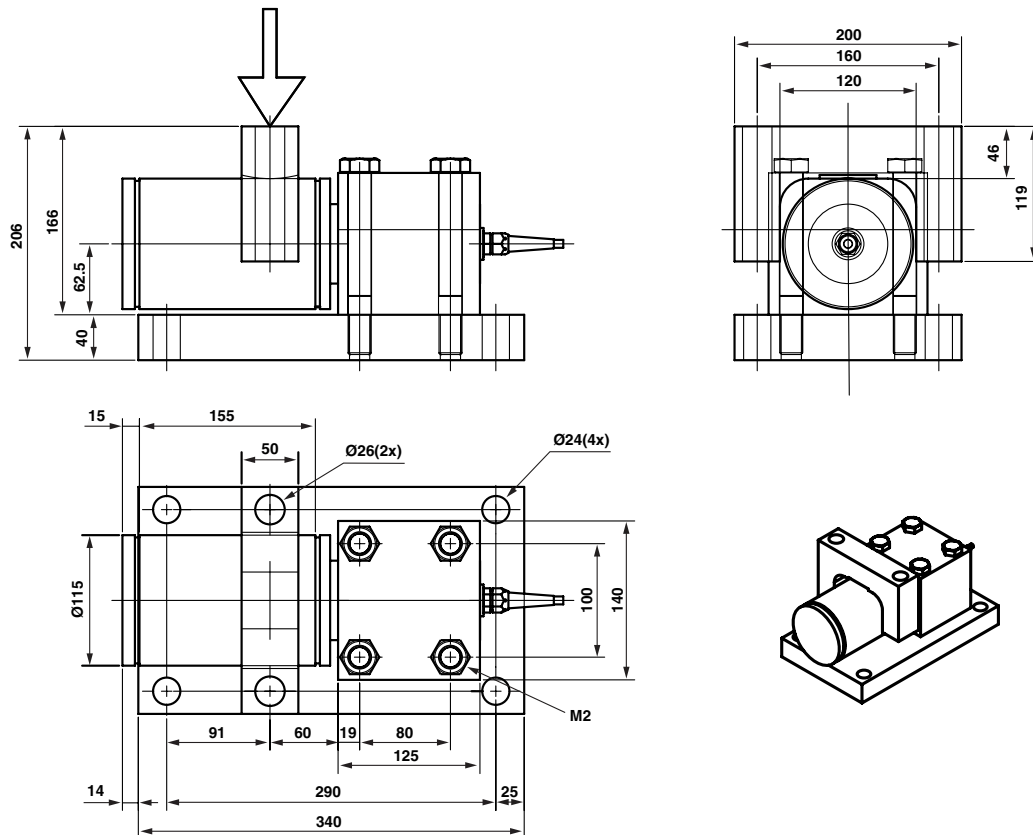
- Silo/bin/hopper inventory weighing systems
- Mixing and blending tanks
- Force measurement systems
- Conveyors

DESCRIPTION

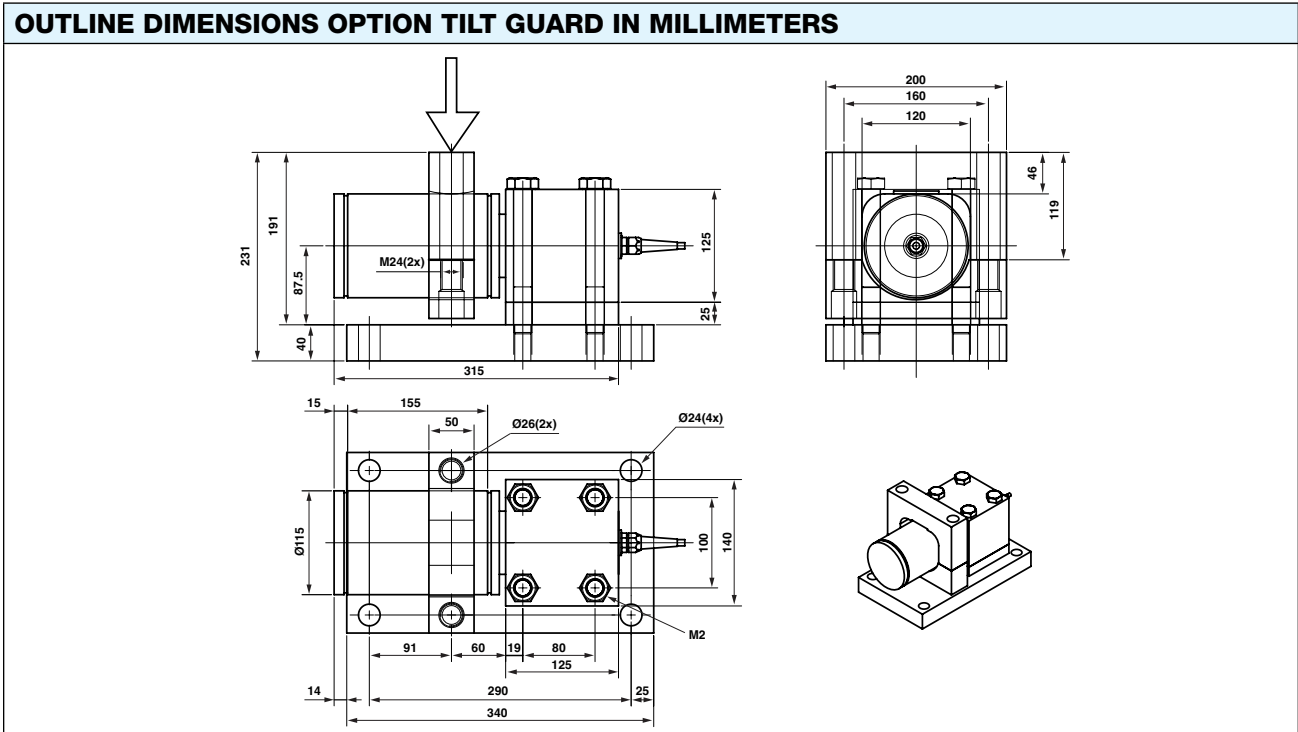
The KIM-1 load cell has several features that distinguish it from other load cells. It is easy to install and extremely accurate, even when subjected to disruptive industrial forces and harsh environmental conditions. All KIM load cells can be ATEX and IECEx certified for use in explosive atmospheres.



OUTLINE DIMENSIONS IN MILLIMETERS



Load Cell



SPECIFICATIONS		PARAMETER		VALUE	
PARAMETER	VALUE	PARAMETER	VALUE	PARAMETER	VALUE
Rated load (RL)	200 kN	Creep at RL after 30 min	±0.03% RL	Temperature range	-40 to +80°C; -40 to +100°C on demand
Combined error (terminal)	±0.1% RL	Temperature effect (-10 to +50°C) on output	±0.003 % of output/°C	Temperature effect (-10 to +50°C) on zero balance	±0.003 % of RO/°C
Repeatability	0.02% RL	Deflection at RL	0.1-0.3 mm	Insulation resistance at 200 VDC	>4 GΩ
Overload, safe ref. to rec. loading point	50% RL	Electrical connection	10 m four conductor cable	Material	Zinc plated steel
Overload, ultimate ref. to rec. loading point	100% RL	Sealing	IP67	APPROVALS	
Side load, ultimate	100% RL	ATEX, IECEx certified versions are available upon request. For details contact blhnobel@vpgsensors.com.			
Input voltage, recommended	10 VDC or VAC				
Input voltage, maximum	18 VDC or VAC				
Input resistance	350 Ω ±5 Ω				
Output resistance	350 Ω ±0.5 Ω				
Rated output (RO)	2.040 mV/V				
Tolerance of RO	±0.25% RO				
Zero balance	±2% RO				
Tolerance of shunt calibration values	±0.25%				

BLH Nobel is continually seeking to improve product quality and performance. Specifications may change accordingly.