

## Rope Tension Transducer

### FEATURES

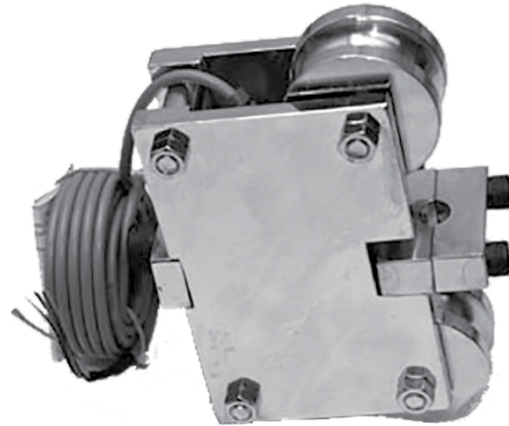
- Easy mounting
- Rope and wire overload control

### APPLICATIONS

- Overload alarm
- Force over load measurement
- Cranes

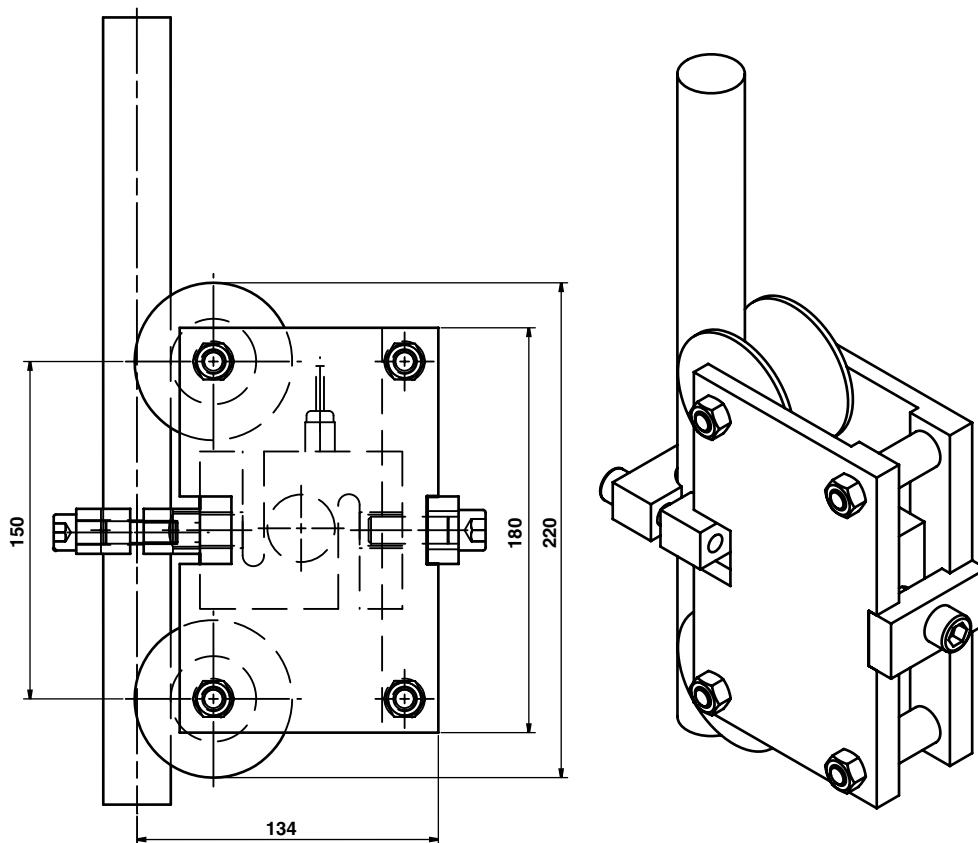
### DESCRIPTION

Clamp on module for rope and wire forces measurement.  
Easy to install, overload protection for cranes.



### OUTLINE DIMENSIONS IN MILLIMETERS

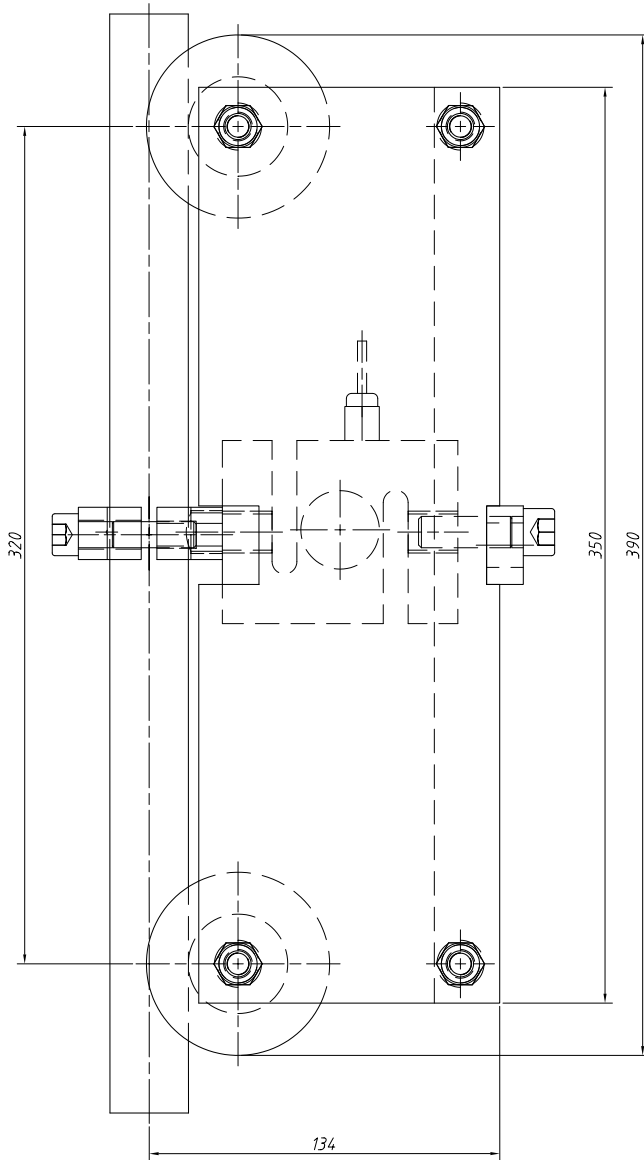
Wire up to 20 mm diameter



Rope Tension Transducer

**OUTLINE DIMENSIONS IN MILLIMETERS**

Wire 20 to 40 mm



Rope Tension Transducer

<b>SPECIFICATIONS</b>	
<b>PARAMETER</b>	<b>VALUE</b>
Rated load (RL)	Application dependent (kN)
Wire diameter*	10–40 mm
Non linearity	±2.0% RO
Repeatability	1% RO
Input voltage, recommended	10 VDC or VAC
Input voltage, maximum	15 VDC or VAC
Input resistance	385 Ω ±15 Ω
Output resistance	350 Ω ±3 Ω
Rated output (RO)	Application dependent (mV/V)
Temperature range	–20 to +70°C
Temperature effect on output (–10°C to +50°C)	±0.003% of output/°C
Temperature effect on zero balance (–10°C to +50°C)	±0.03% of RO/°C
Insulation resistance at 200 VDC	>4 GΩ
Material	Plated alloy steel
Electrical connection	6 m shielded four conductor cable
Degree of protection	IP67

\* Customer specific versions available upon request.

BLH Nobel is continually seeking to improve product quality and performance. Specifications may change accordingly.